

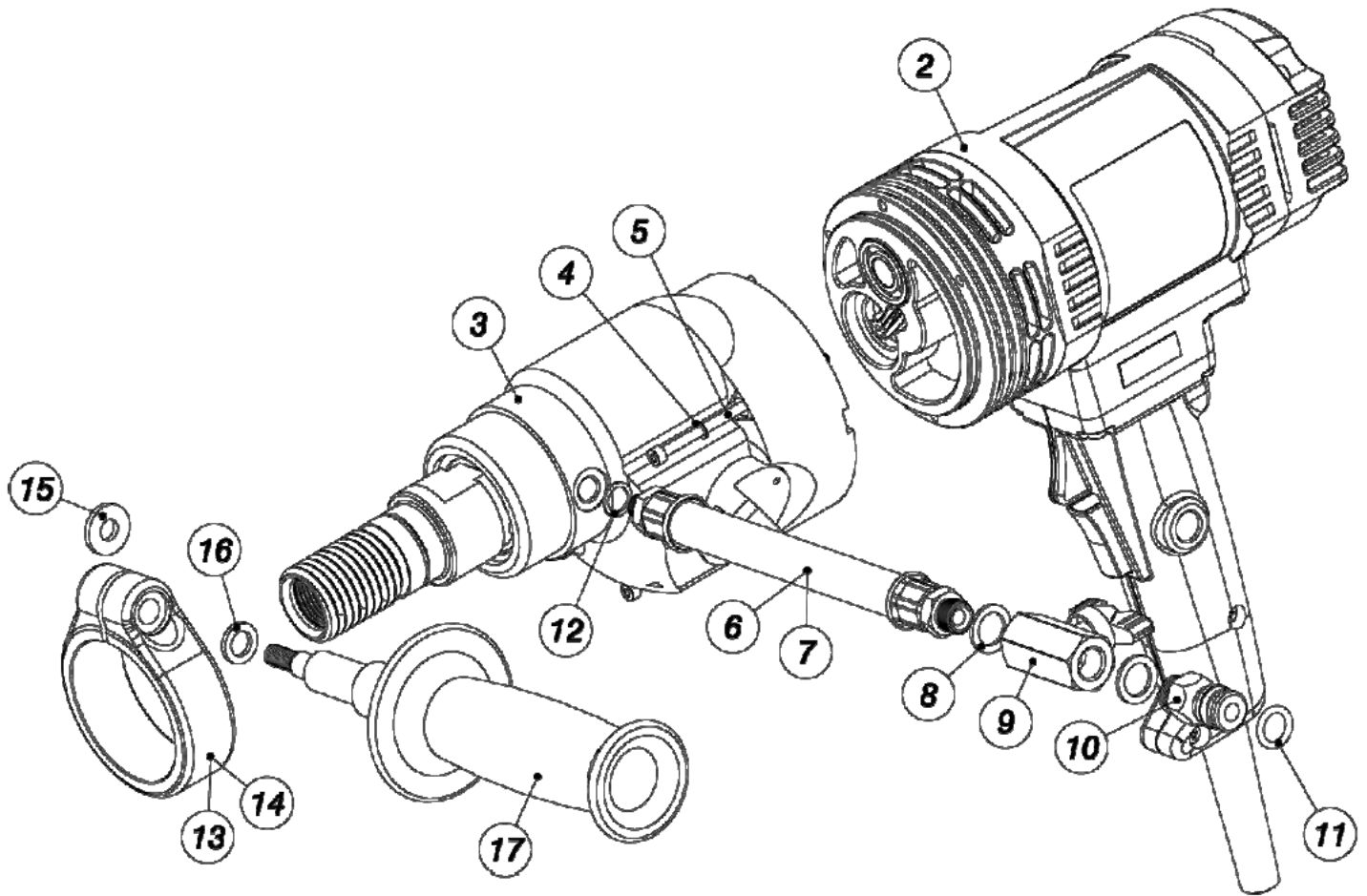
DB16

Parts Breakdown / *Diagramme de Pièces*



All rights reserved

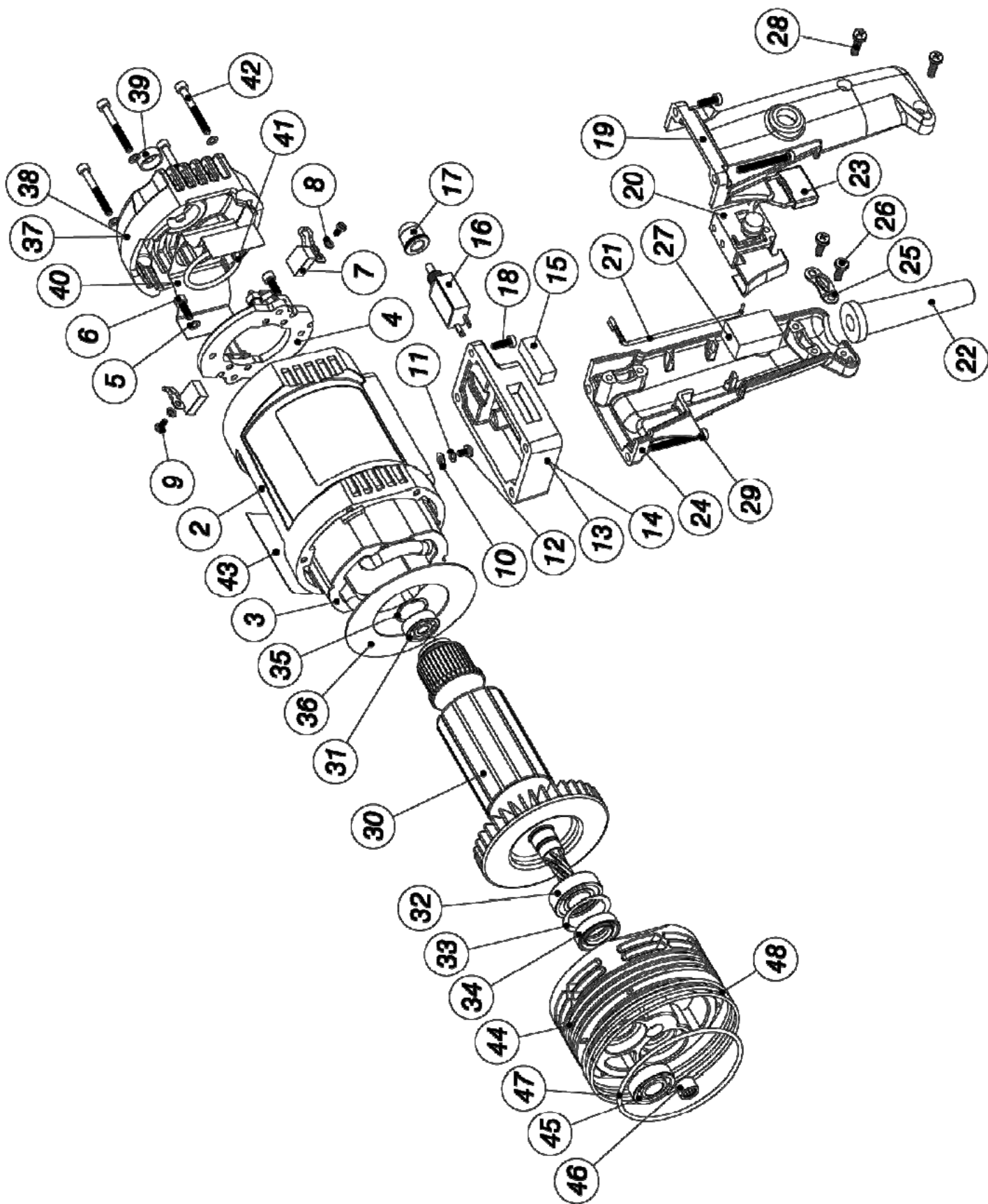
Machine complete, DB16



Item	Art. No.	Description	No.
1	200942	Stone drilling machine complete EBM33 F	1
2	200941	Motor complete	1
3	300887	Gear complete	1
4	800076	Locking washer	3
5	901012	Hexagon socket head cap screw	3
6	802980	Water connection complete	1 **
7	802981	Hose complete	1
8	800028	Sealing ring	1
9	800023	Ball cock complete	1
10	800020	Slot-in nipple	1
11	800040	O ring	1
12	800027	Sealing ring	1
13	400961	Handle complete	1
14	300822	Ring	1
15	800283	Washer	1
16	900165	Shim ring	1
17	400985	Handle	1

Wearing parts**

Motor complete, DB16

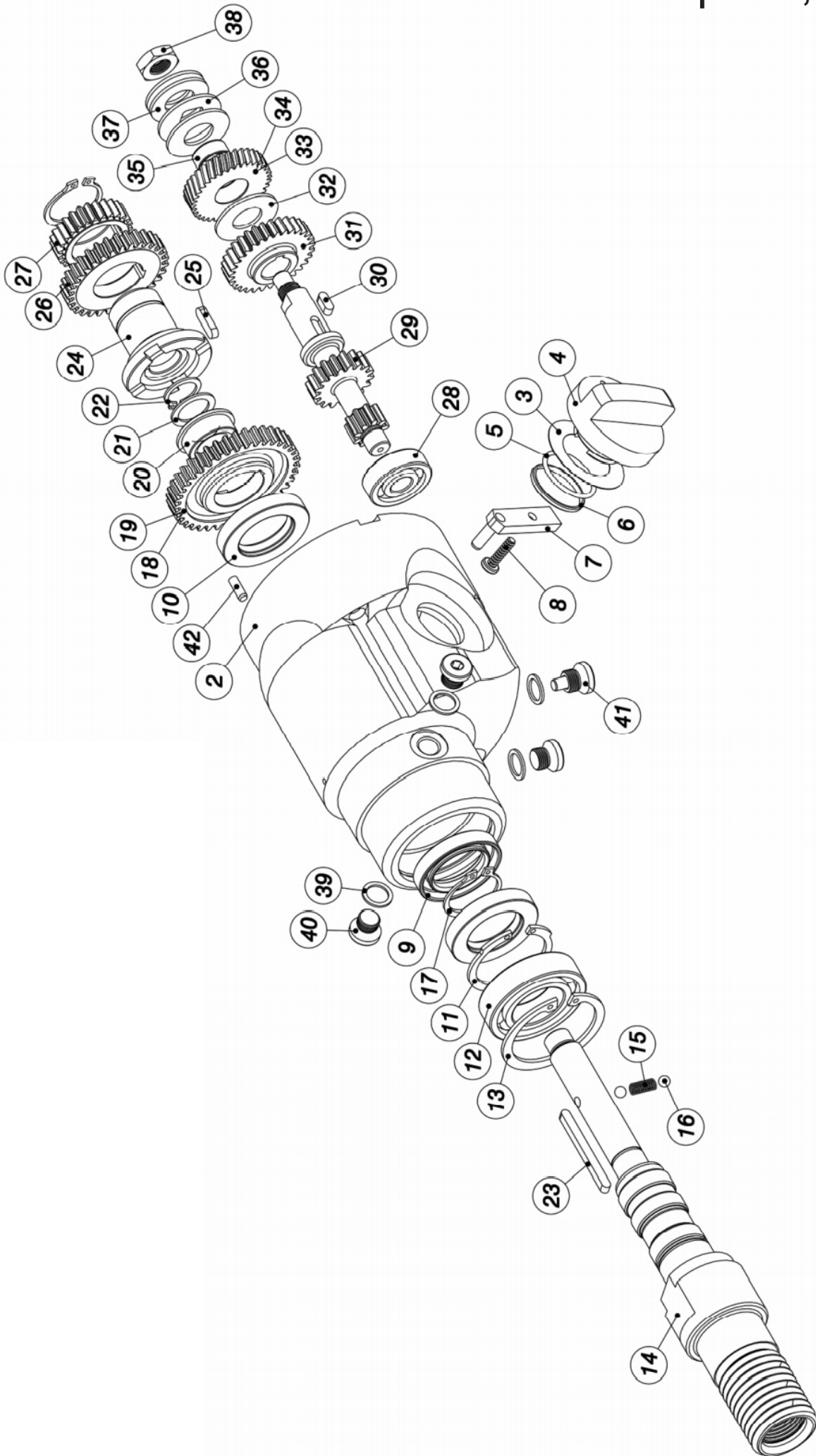


Motor complete, DB16

Item	Art. No.	Description	No.
1	200941	Motor complete	1
2	200397	Motor casing	1
3	401300	Magnet casing	1
4	400888	Brush bridge	1
5	800076	Locking washer	6
6	900339	Hexagon socket head cap screw	2
7	800948	Carbon brush	2 **
8	900183	Spring washer	4
9	900407	Cheese-head screw	2
10	900231	Washer	1
11	900181	Spring washer	1
12	900412	Flat head screw	1
13	401101	Control box complete	1
14	401100	Control box	1
15	801200	Spirit level	1
16	800139	Circuit breaker	1
17	800134	Protecting cap	1 **
18	900689	Hexagon socket head cap screw	4
19	801211	Handle half	1
20	801308	Equipment switch	1
20	801219	Equipment switch – electronic optional	1
21	801239	Cable complete	1
22	801222	Cable grommet	1 **
23	801220	Interference-suppression capacitor	1
24	801210	Handle half	1
25	801221	Strain-relief clamp	1
26	900699	Cross recessed pan head tapping screw	2
27	801074	Softpack	1
28	900623	Cross recessed pan head tapping screw	2
29	901405	Hexagon socket head cap screw	2
30	401042	Balanced armature with fan	1
31	900001	Grooved ball bearings	1 **
32	900483	Grooved ball bearings	1 **
33	801988	Shim ring	1
34	900708	Shaft sealing ring	1 **
35	800266	Ball bearing compensating disc	1
36	401666	Air-flow-plate	1
37	401099	Bearing cap complete	1
38	200549	Bearing cap	1
39	800910	Spirit level	1
40	401098	Insulation	1 **
41	800089	O ring	1 **
42	900756	Hexagon socket head cap screw	4
43	801017	Information plate	1
Item	Art. No.	Description	No.
44	201049	Intermediate cover	1
45	900495	Grooved ball bearings	1 **
46	900170	Needle sleeve	1 **
47	800099	O ring	1 **
48	801346	O ring	3 **

Wearing parts**

Gear complete, DB16



Gear complete, DB16

Item	Art. No.	Description	No.
1	300887	Gear complete	1
2	200570	Gear casing	1
3	800483	Compensation slice	1
4	100723	Control grip	1 **
5	801367	O ring	1
6	401038	Sleeve	1
7	401036	Switch handle complete	1
8	900623	Fillister self-tapping screw	1
9	900020	Shaft sealing ring	1 **
10	900019	Shaft sealing ring	2 **
11	800001	Locking ring	1 **
12	900000	Grooved ball bearing	1 **
13	800559	Locking ring	1 **
14	301213	Drill spindle complete, 1 ¼" / R ½"	1
14	300885	Drill spindle complete, R ½" – optional	1
15	900013	Compression spring	1
16	900014	Ball	2
17	800000	Locking ring	2 **
18	401104	Loose wheel complete	1
19	300774	Control wheel / Loose wheel	1
20	401105	Bearing sleeve	1 **
21	900560	Adjusting washer	1
22	800002	Spring ring	1
23	900764	Parallel key	1
24	300882	Control connector	1
25	900765	Parallel key	1
26	300775	Control wheel 2	1
27	300883	Control wheel 3	1
28	900486	Grooved ball bearing	1 **
29	300888	Reduction shaft	1
30	900127	Parallel key	1
31	300889	Speed wheel 3	1
32	400135	Brake disc	2 **
33	401040	Reduction wheel complete	1
34	300780	Reduction wheel	1
35	401041	Bearing sleeve	1 **
36	400137	Compression washer	1
37	900018	Disc spring	2
38	900008	Hexagonal nut	1 **
39	800027	Sealing ring	4 **
40	800026	Sealing screw	3
41	401639	Sealing screw complete	1
42	900012	Cylindrical pin	1
43	801019	Gearbox oil 0,3 l	1 **

Wearing parts**